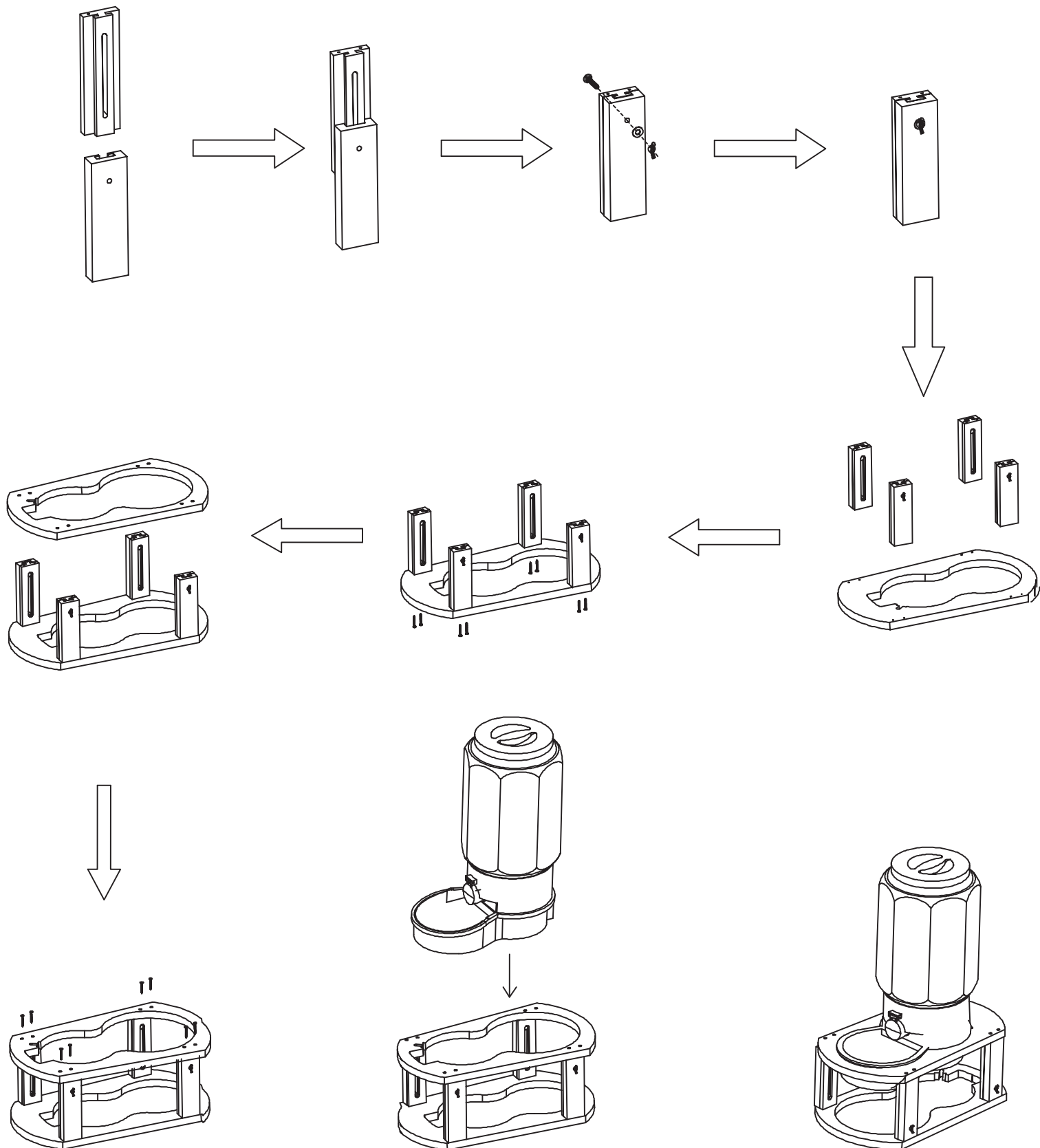


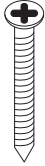
ADJUSTABLE RISER / STAND FOR AUTO PET FEEDER OR WATERER ASSEMBLY



ADJUSTABLE RISER / STAND FOR AUTO PET FEEDER OR WATERER

PARTS LIST

①



1x16

②



1x4

③



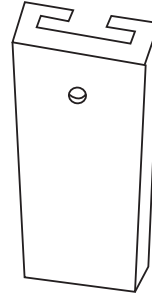
1x4

④



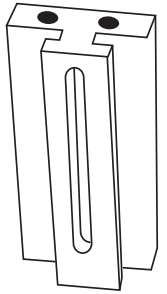
1x4

⑤



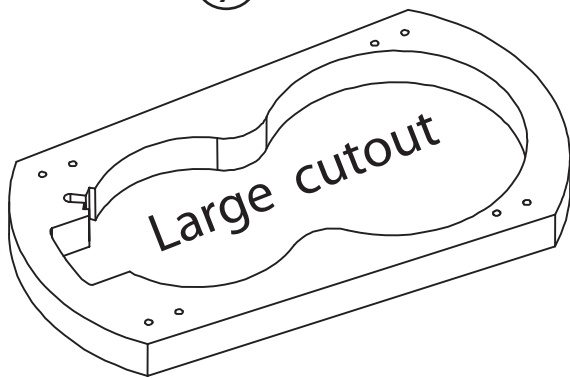
1x4

⑥



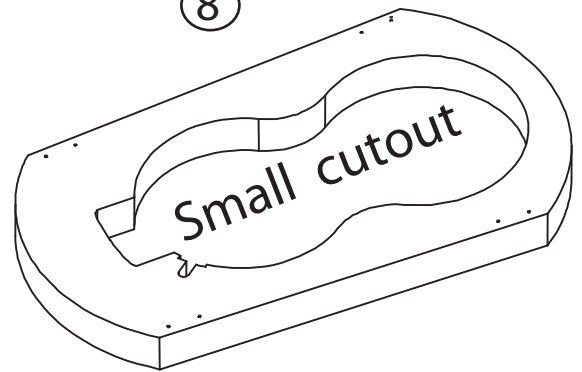
1x4

⑦



1

⑧



1

1. Screw (16 pcs)
2. Head bolt (4 pcs)
3. Washer (4 pcs)
4. Wing nut (4 pcs)

5. Outer leg (4 pcs)
6. Inner leg (4 pcs)
7. Wood frame - large cut out (1 pc)
8. Wood frame - small cutout (1 pc)

Check if you have received all the parts listed above before assembly

Assembly :

Note : This stand accommodates for the use of a small, medium or large feeder. Use one side for small and medium and the other for large feeder.

Step 1: Assemble the inner legs (6) into the groove of the outer legs (5) and tighten it with 4 sets of bolts (2) washers(3) and wing nuts (4).

Step 2: Install the four outer legs (5) with “T” slots, on to the wood frame with a small cutout (8). Use the 8 screws (1) to do this. Do not over tighten or the assembly may crack.

Step 3: Fix the other end of the inner legs to the wood frame with a large cutout (7). Use the 8 screws (1) to do this. Do not over tighten or the assembly may crack.

Step 4: Use the large cutout for the large feeder and the small cutout for the small and medium feeder. Flip the stand over if necessary.

Step 5: The overall height of the feeder stand may be adjusted to accommodate for your pet’s convenience by unscrewing the wing nuts and sliding the upper and lower assembly to the desired height. Tighten the wing nuts (4) after you set the height.

**NOW YOUR ADJUSTABLE RISER / STAND FOR
AUTO PET FEEDER OR WATERER IS READY FOR USE**

Ergo Systems Inc.,

E-Mail
support@ergosys.net

Toll-Free Phone. US only
1-888-ERGOSYS
(1-888-374-6797)

Website
<http://www.autopetfeeder.com>

International Phone
1-630-543-7686



Warranty Registration
<http://www.autopetfeeder.com/warranty.asp>

Fax
1-866-899-5389